

Managed Stackable Layer 3 Switches GSM7328S v2 and GSM7352S v2 Hardware Installation Guide

NETGEAR®

NETGEAR, Inc.
350 East Plumaria Drive
Sant Jose, CA 95134 USA

202-10532-01
July 2009

© 2009 by NETGEAR, Inc. All rights reserved. Information is subject to change without notice.

Trademarks

The Netgear Logo, the Gear Guy, Everybody's connecting, and ProSafe are trademarks or registered trademark of Netgear, Inc. in the United States and other countries. Microsoft, Windows, and the Windows logo are trademarks or registered trademarks of Microsoft Corporation in the United States and/or other countries. Other brand and product names are trademarks or registered trademarks of their respective holders.

Statement of Conditions

In the interest of improving internal design, operational function, and/or reliability, NETGEAR reserves the right to make changes to the products described in this document without notice.

NETGEAR does not assume any liability that may occur due to the use or application of the product(s) or circuit layout(s) described herein.

Certificate of the Manufacturer/Importer

It is hereby certified that the NETGEAR ProSafe™ 24-Port 10/100/1000 + 2-Port 10G L3 managed Stackable Switch with 2 10/12 Gigabit I/O Slots GSM7328S v2 has been suppressed in accordance with the conditions set out in the BMPT-AmtsblVfg 243/1991 and Vfg 46/1992. The operation of some equipment (for example, test transmitters) in accordance with the regulations may, however, be subject to certain restrictions. Please refer to the notes in the operating instructions.

It is hereby certified that the NETGEAR ProSafe™ 48-Port 10/100/1000 + 2-Port 10G L3 managed Stackable Switch with 2 10/12 Gigabit I/O Slots GSM7352S v2 has been suppressed in accordance with the conditions set out in the BMPT-AmtsblVfg 243/1991 and Vfg 46/1992. The operation of some equipment (for example, test transmitters) in accordance with the regulations may, however, be subject to certain restrictions. Please refer to the notes in the operating instructions.

Federal Office for Telecommunications Approvals has been notified of the placing of this equipment on the market and has been granted the right to test the series for compliance with the regulations.

Voluntary Control Council for Interference (VCCI) Statement

This is Class A product based on the standard of the Voluntary Control Council for Interference by Information Technology Equipment (VCCI). If this equipment is used in a domestic environment, radio interference may occur, in which case, the user may be required to take corrective actions."

この装置は、情報処理装置等電波障害自主規制協議会 (VCCI) の基準に基づくクラス A 情報技術装置です。この装置を家庭環境で使用すると電波妨害を引き起こすことがあります。この場合には使用者が適切な対策を講ずるよう要求されることがあります。

Federal Communications Commission (FCC) Compliance Notice: Radio Frequency Notice

This device complies with part 15 of the FCC Rules. Operation is subject to the following two conditions:

- This device may not cause harmful interference.
- This device must accept any interference received, including interference that may cause undesired operation.

Note: This equipment has been tested and found to comply with the limits for a Class A digital device, pursuant to part 15 of the FCC Rules. These limits are designed to provide reasonable protection against harmful interference in a residential installation. This equipment generates, uses, and can radiate radio frequency energy and, if not installed and

used in accordance with the instructions, may cause harmful interference to radio communications. However, there is no guarantee that interference will not occur in a particular installation. If this equipment does cause harmful interference to radio or television reception, which can be determined by turning the equipment off and on, the user is encouraged to try to correct the interference by one or more of the following measures:

- Reorient or relocate the receiving antenna.
- Increase the separation between the equipment and receiver.
- Connect the equipment into an outlet on a circuit different from that which the receiver is connected.
- Consult the dealer or an experienced radio/TV technician for help.

Canadian Department of Communications Radio Interference Regulations

This digital apparatus (NETGEAR ProSafe™ 24-Port 10/100/1000 + 2-Port 10G L3 managed Stackable Switch with 2 10/12 Gigabit I/O Slots GSM7328S v2) does not exceed the Class A limits for radio-noise emissions from digital apparatus as set out in the Radio Interference Regulations of the Canadian Department of Communications.

This digital apparatus (NETGEAR ProSafe™ 48-Port 10/100/1000 + 2-Port 10G L3 managed Stackable Switch with 2 10/12 Gigabit I/O Slots GSM7352S v2) does not exceed the Class A limits for radio-noise emissions from digital apparatus as set out in the Radio Interference Regulations of the Canadian Department of Communications.

Règlement sur le brouillage radioélectrique du ministère des Communications

Cet appareil numérique (NETGEAR ProSafe™ 24-Port 10/100/1000 + 2-Port 10G L3 managed Stackable Switch with 2 10/12 Gigabit I/O Slots GSM7328S v2) respecte les limites de bruits radioélectriques visant les appareils numériques de classe A prescrites dans le Règlement sur le brouillage radioélectrique du ministère des Communications du Canada.

Cet appareil numérique (NETGEAR ProSafe™ 48-Port 10/100/1000 + 2-Port 10G L3 managed Stackable Switch with 2 10/12 Gigabit I/O Slots GSM7352S v2) respecte les limites de bruits radioélectriques visant les appareils numériques de classe A prescrites dans le Règlement sur le brouillage radioélectrique du ministère des Communications du Canada.

EN 55 022 Declaration of Conformance

This is to certify that the NETGEAR ProSafe™ 24-Port 10/100/1000 + 2-Port 10G L3 managed Stackable Switch with 2 10/12 Gigabit I/O Slots GSM7328S v2 is shielded against the generation of radio interference in accordance with the application of Council Directive 89/336/EEC, Article 4a. Conformity is declared by the application of EN 55024 Class A (CISPR 22).

EN 55 022 and EN 55 024 Statements

This is to certify that the NETGEAR ProSafe™ 48-Port 10/100/1000 + 2-Port 10G L3 managed Stackable Switch with 2 10/12 Gigabit I/O Slots GSM7352S v2 is shielded against the generation of radio interference in accordance with the application of Council Directive 89/336/EEC, Article 4a. Conformity is declared by the application of EN 55024 Class A (CISPR 22).

EN 55 022 and EN 55 024 Statements

This is to certify that the NETGEAR ProSafe™ 24-Port 10/100/1000 + 2-Port 10G L3 managed Stackable Switch with 2 10/12 Gigabit I/O Slots GSM7328S v2 is shielded against the generation of radio interference in accordance with the application of Council Directive 89/336/EEC, Article 4a. Conformity is declared by the application of EN 55 022 Class A (CISPR 22) and EN 55 024.

This is to certify that the NETGEAR ProSafe™ 48-Port 10/100/1000 + 2-Port 10G L3 managed Stackable Switch with 2 10/12 Gigabit I/O Slots GSM7352S v2 is shielded against the generation of radio interference in accordance with the

application of Council Directive 89/336/EEC, Article 4a. Conformity is declared by the application of EN 55 022 Class A (CISPR 22) and EN 55 024.



Warning: This is a Class A product. In a domestic environment, this product may cause radio interference, in which case the user may be required to take appropriate measures.

Customer Support

Refer to the Support Information Card that shipped with your Managed Stackable Layer 3 Fast Ethernet Switch.

World Wide Web

NETGEAR maintains a World Wide Web home page that you can access at the universal resource locator (URL) <http://www.netgear.com>. A direct connection to the Internet and a Web browser such as Internet Explorer or Netscape are required.

Product and Publication Details

Model Number:	GSM7328S v2 and GSM7352S v2
Publication Date:	July 2009
Product Family:	managed switch
Product Name:	<ul style="list-style-type: none">• ProSafe™ 24-Port 10/100/1000 + 2-Port 10G L3 managed Stackable Switch with 2 10/12 Gigabit I/O Slots GSM7328S v2• ProSafe™ 48-Port 10/100/1000 + 2-Port 10G L3 managed Stackable Switch with 2 10/12 Gigabit I/O Slots GSM7352S v2
Home or Business Product:	Business
Language:	English
Publication Part Number:	202-10532-01
Publication Version Number	1.0

Contents

Chapter 1

About This Manual

Audience, Conventions, Formats, and Scope	1-1
How to Print this Manual	1-2
Revision History	1-3

Chapter 2

Introduction

GSM7328S v2 Front Panel and LEDs	2-1
GSM7328S v2 Rear Panel	2-4
GSM7352S v2 Front Panel and LEDs	2-4
GSM7352S v2 Rear Panel	2-7
Safety Instructions	2-7

Chapter 3

Hardware Installation

Package Contents	3-1
Protecting Against Electrostatic Discharge	3-2
Unpacking the Hardware	3-2
Installation	3-3
Select a Location	3-4
Install the Switch	3-5
Check the Installation	3-6
Connect to Power and Check the LEDs	3-6
SFP+ Modules	3-7
SFP Modules	3-7
Stacking	3-9
Power Module Bay	3-10
Installing a Power Module (APS135W)	3-11
Removing a Power Module (APS135W)	3-11
Connecting a Redundant Power Supply	3-12

Connecting Equipment to the Switch	3-12
RJ-45 Ports	3-12
Connecting a Console to the Switch	3-13
Chapter 4	
Troubleshooting	
Troubleshooting Chart	4-1
Additional Troubleshooting Suggestions	4-2
Appendix A	
Technical Specifications	
Appendix B	
Default Configuration Settings	

Chapter 1

About This Manual

The *Managed Stackable Layer 3 Switches GSM7328S v2 and GSM7352S v2 Hardware Installation Guide* describes installation and basic troubleshooting for the NETGEAR® GSM7328S v2 and GSM7352S v2 switches.


Audience, Conventions, Formats, and Scope


This information in this guide is intended for network managers familiar with network management concepts and terminology. This guide uses the following typographical conventions:


Table 1-1. Typographical Conventions


<i>Italics</i>	Emphasis, books, CDs, URL names
Bold	User input
Fixed	Screen text, file and server names, extensions, commands, IP addresses

This guide uses the following formats to highlight special messages:

	Note: This format is used to highlight information of importance or special interest.
---	--

	Tip: This format is used to highlight a procedure that will save time or resources.
---	--

	Warning: Ignoring this type of note may result in a malfunction or damage to the equipment.
---	--

	Danger: This is a safety warning. Failure to take heed of this notice may result in personal injury or death.
---	--

This manual is written for the Managed Stackable Layer 3 Gigabit Ethernet Switch according to these specifications

Table 1-2. Manual Scope

Product Version	<ul style="list-style-type: none">• ProSafe™ 24-Port 10/100/1000 + 2-Port 10G L3 managed Stackable Switch with 2- 10/12 Gigabit I/O Slots GSM7328S v2• ProSafe™ 48-Port 10/100/1000 + 2-Port 10G 2-Port 10G L3 managed Stackable Switch with 2 10/12 Gigabit I/O Slots GSM7352S v2
Manual Publication Date	July 2009

	Note: Product updates are available on the NETGEAR, Inc. Web site at http://kbserver.netgear.com/downloads_support.asp .
---	---

How to Print this Manual

To print this manual, you can choose one of the following options, according to your needs.

- **Printing from PDF.** Your computer must have the free Adobe Acrobat reader installed in order to view and print PDF files. The Acrobat reader is available on the Adobe Web site at <http://www.adobe.com>.
 - Printing a PDF Chapter. Use the *PDF of This Chapter* link at the top left of any page.
 - Click the *PDF of This Chapter* link at the top left of any page in the chapter you want to print. The PDF version of the chapter you were viewing opens in a browser window.
 - Click the print icon in the upper left of your browser window.
 - **Printing a PDF version of the Complete Manual.** Use the *Complete PDF Manual* link at the top left of any page.

- Click the *Complete PDF Manual* link at the top left of any page in the manual. The PDF version of the complete manual opens in a browser window.
- Click the print icon in the upper left of your browser window.



Tip: If your printer supports printing two pages on a single sheet of paper, you can save paper and printer ink by selecting this feature.

Revision History

Part Number	Version	Publication Date	Description
202-10532-01	1.0	July 2009	Document Created.

Chapter 2

Introduction

The NETGEAR Layer 3 Managed Stackable Fast Ethernet Switch is a state-of-the-art, high-performance, IEEE-compliant network solution. It includes powerful management features that you can use to eliminate bottlenecks, boost performance, and increase productivity.

This guide describes hardware installation and basic troubleshooting for the following NETGEAR switches:

- ProSafe™ 24-Port L3 managed Stackable Switch GSM7328S v2
- ProSafe™ 48-Port L3 managed Stackable Switch GSM7352S v2

These switches can be free-standing, or rack-mounted in a wiring closet or an equipment room. For information about features for each product, see the NETGEAR Web site at <http://www.netgear.com>.

GSM7328S v2 Front Panel and LEDs

The following figure shows the front panel of the GSM7328S v2. The front panel contains LEDs, a RST (reset) button, RJ-45 jacks, copper/fiber combo ports, USB port, and 10G SFP+ ports.

The module bays support any combination of either the ProSafe 24-Gigabit Stackable Module (AX742), the ProSafe 10-Gigabit Ethernet XFP Adapter (AX741) or the ProSafe 10-Gigabit Ethernet SFP+ Adapter (AXM743). See “SFP+ Modules” in Chapter 3.

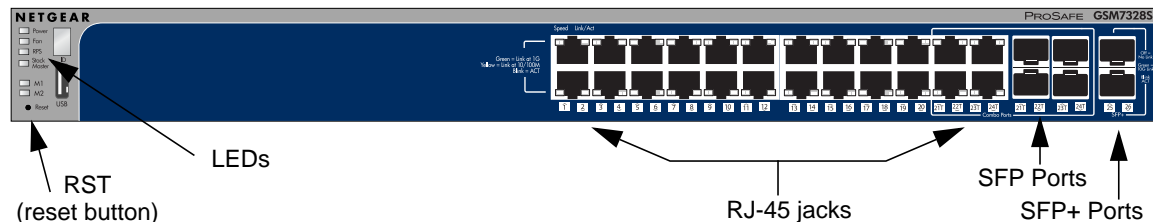


Figure 2-1

The following table describes the LEDs on the front panel of the switch.

Table 2-1. LED Descriptions for GSM7328S v2

LED	Description
ID	This is the stack member ID (1–8) that the software assigns to the switch.
Master	<ul style="list-style-type: none"> • Green: Switch acts as a master unit in a stack of GSM7300S series switches. • Off: Switch acts as a slave unit in a stack of GSM7300S switches.
RPS (redundant power supply)	<ul style="list-style-type: none"> • Solid green: The redundant power supply is connected (and using the power module's power). • Solid yellow: The power module power has failed or been disconnected, but the redundant power supply is providing power to the switch. • Blinking yellow: The redundant power supply unit is present, but the power has failed. • Off: The redundant power supply is disconnected or not present.
Fan	<ul style="list-style-type: none"> • Solid green: Fan operating normally. • Solid yellow: Fan has failed • Off: No fan detected.
PWR (power)	<ul style="list-style-type: none"> • Solid green: Power module is present and supplies power to the switch and is working normally. • Solid yellow: System is in boot-up stage. • Blinking yellow: POS/CPU system has failed. • Off: Power is disconnected.
M1, M2 High-Speed I/O Modules (1 LED per module)	<p>XFP Module present or Stacking Adapter present and ACT LED: XFP Module present LED /ACT</p> <ul style="list-style-type: none"> • Off: The 10GbE Adapter is not present or present but link down with system. • Solid green: The 10GbE Adapter is present and link up with system. • Blinking green: Packets transmission or reception is occurring on the port <p>Stacking Adapter Link/ACT LED</p> <ul style="list-style-type: none"> • Off: Stacking module is not present . • Solid green: Stacking module is present and link up with system. • Blinking green: Packets transmission or reception is occurring on the port .

Table 2-1. LED Descriptions for GSM7328S v2 (continued)

LED	Description
10/100/1000M Ports (2 LEDs per port)	<p>Link/ACT LED</p> <ul style="list-style-type: none"> • Off: No link is established on the port. • Solid green: A valid link is established on the port. • Blinking green: The port is sending or receiving packets. <p>SPD LED</p> <ul style="list-style-type: none"> • Off: No link is established on the port. • Solid yellow: A valid 10/100 Mbps link is established on the port. • Solid green: A valid 1000 Mbps link is established on the port. <p>Note: If port 21–24 media is changed to SFP, the RJ-45 LEDs change to OFF status.</p>
SFP Ports (1Link/ACT LED per port)	<ul style="list-style-type: none"> • Off: No SFP module link is established on the port. • Solid green: A valid 1000Mbps SFP module link is established on the port. • Blinking green: Packet transmission or reception is occurring on the port at 1000Mbps. • Solid yellow: A valid 100Mbps SFP module link is established on the port. • Blinking yellow: Packet transmission or reception is occurring on the port at 100Mbps. <p>Note. If port 21–24 media is changed to copper, the SFP LEDs change to OFF status.</p>
SFP+ Ports (1 Link/ACT LED per port)	<p>SPD/Link/ACT LED:</p> <ul style="list-style-type: none"> • OFF: No SFP module link is established on the port. • Solid green: A valid 10Gbps SFP+ module link is established on the port. • Blinking green:Packet transmission or reception is occurring on the port at 10Gbps.

GSM7328S v2 Rear Panel

The rear panel has two module bays, a console port, redundant power supply connector, and a power module for the supplied power cord. The module bays support any combination of the ProSafe 10-Gigabit Ethernet XFP Adapter (AX741), SFP+ Adapter (AX743), or the ProSafe 24-Gigabit Stackable Module (AX742).

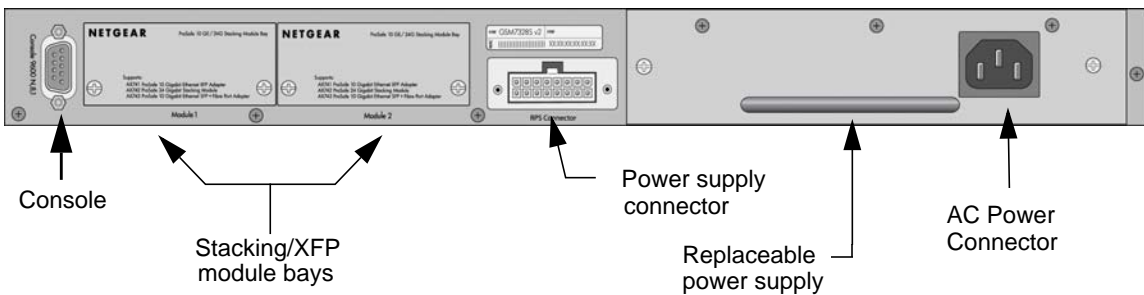


Figure 2-2

GSM7352S v2 Front Panel and LEDs

The figure below shows the front panel of the GSM7352S v2. The front panel contains LEDs, a RST (reset) button, RJ-45 jacks, copper/fiber combo ports, USB port and 10G SFP+ ports.

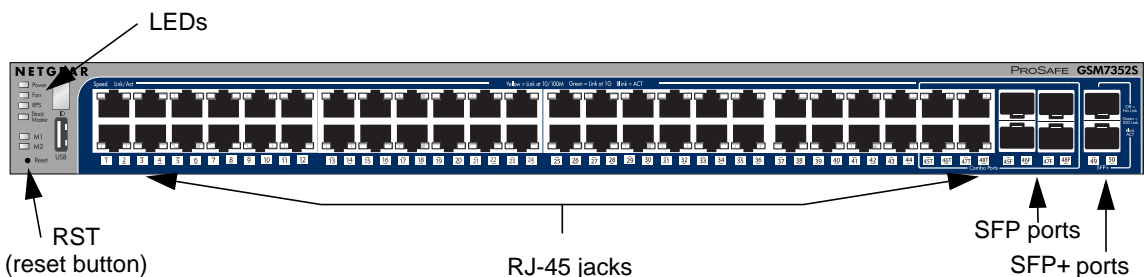


Figure 2-3

The table below describes the GSM7352S v2 LEDs on the front of the switch.

Table 2-2. GSM7352S v2 LED Description

LED	Description
ID	This is the stack member ID (1–8) that the software assigns to the switch.
Master	<ul style="list-style-type: none"> • Green: The switch is a master unit in a stack of GSM7300S series switches. • Off: The switch acts as a slave unit in a stack of GSM7300S switches.
RPS (redundant power supply)	<ul style="list-style-type: none"> • Solid green: The redundant power supply is connected (and using ipower module's power). • Solid yellow: The power module's has failed or been disconnected, but the redundant power supply is providing power to the switch. • Blinking yellow: The redundant power supply unit is present but the power has failed. • Off: The redundant power supply is disconnected or not present.
Fan	<ul style="list-style-type: none"> • Solid green: Fan operating normally. • Solid yellow: Fan has failed • Off: No fan detected.
PWR (Power)	<ul style="list-style-type: none"> • Solid green: Power module is present and is supplies power to the the switch and is operating normally. • Solid yellow: System is in boot-up stage. • Blinking yellow: POS/ CPU system has failed. • Off: Power is disconnected.
10/100/1000M Ports (2 LEDs per port)	<p>Link/ACT LED</p> <ul style="list-style-type: none"> • Off: No link is established on the port. • Solid green: A valid link is established on the port. • Blinking green: The port is sending or receiving packets. <p>SPD LED</p> <ul style="list-style-type: none"> • Off: No link is established on the port. • Solid yellow: A valid 10/100 Mbps link is established on the port. • Solid green: A valid 1000 Mbps link is established on the port. <p>Note: If port 41~48 media changes to SFP, the RJ-45 LEDs change to OFF status</p>

Table 2-2. GSM7352S v2 LED Description (continued)

LED	Description
M1, M2 High-Speed I/O Modules (1 LED per module)	<p>XFP Module present or Stacking Adapter present and ACT LED XFP Module present LED /ACT</p> <ul style="list-style-type: none"> • Off: The 10GbE Adapter is not present or present but link down with system. • Solid green: The 10GbE Adapter is present and link up with system. • Blinking green: Packets transmission or reception is occurring on the port. <p>Stacking Adapter Link/ACT LED</p> <ul style="list-style-type: none"> • Off: Stacking module is not present or present but link down with system. • Solid green: Stacking module is present and link up with system. • Blinking green: Packets transmission or reception is occurring on the port.
SFP ports	<ul style="list-style-type: none"> • Off: No SFP module link is established on the port. • Solid green: A valid 1000Mbps SFP module link is established on the port. • Blinking green: Packet transmission or reception is occurring on the port at 1000Mbps. • Solid yellow: A valid 100Mbps SFP module link is established on the port. • Blinking yellow: Packet transmission or reception is occurring on the port at 100Mbps. <p>Note: If port 43~48 media is changed to copper, the SFP LEDs change to OFF status.</p>
SFP+ Ports (1 Link/ACT LED per port)	<p>SPD/Link/ACT LED:</p> <ul style="list-style-type: none"> • OFF: No SFP module link is established on the port. • Solid green: A valid 10Gbps SFP+ module link is established on the port. • Blinking green:Packet transmission or reception is occurring on the port at 10Gbps.

GSM7352S v2 Rear Panel

The rear panel has two module bays, a redundant power supply connector, a console port, and a power module bay for the APS135W. The module bays support any combination of the ProSafe 10-Gigabit Ethernet XFP Adapter (AX741), XFP+ Adapter (AX743), or the ProSafe 24-Gigabit Stackable Module (AX742). See “SFP+ Modules” in Chapter 3.

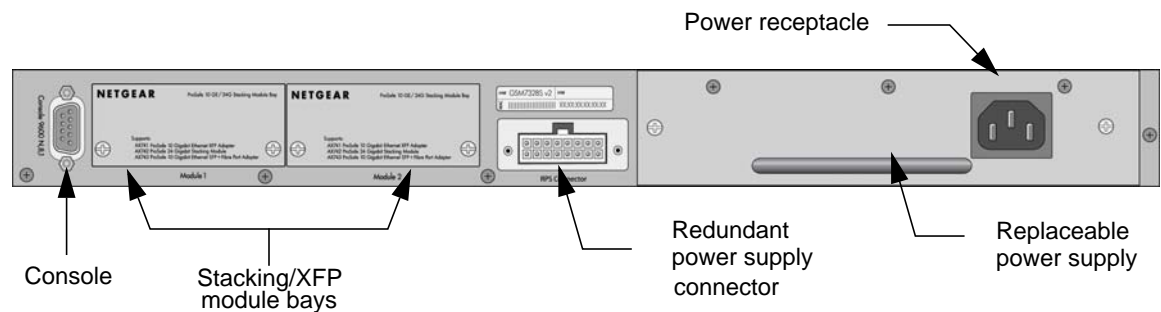


Figure 2-4

Safety Instructions

Use the following safety guidelines to ensure your own personal safety and to help protect your system from potential damage.

To reduce the risk of bodily injury, electrical shock, fire, and damage to the equipment, observe the following precautions.

- Observe and follow service markings.
 - Do not service any product except as explained in your system documentation.
 - Opening or removing covers that are marked with the triangular symbol with a lightning bolt may expose you to electrical shock. Only a trained service technician should service components inside these compartments.
- If any of the following conditions occur, unplug the product from the electrical outlet and replace the part or contact your trained service provider:
 - The power cable, extension cable, or plug is damaged.
 - An object has fallen into the product.

- The product has been exposed to water.
- The product has been dropped or damaged.
- The product does not operate correctly when you follow the operating instructions.
- Keep your system away from radiators and heat sources. Also, do not block cooling vents.
- Do not spill food or liquids on your system components, and never operate the product in a wet environment. If the system gets wet, see the appropriate section in your troubleshooting guide or contact your trained service provider.
- Do not push any objects into the openings of your system. Doing so can cause fire or electric shock by shorting out interior components.
- Use the product only with approved equipment.
- Allow the product to cool before removing covers or touching internal components.
- Operate the product only from the type of external power source indicated on the electrical ratings label. If you are not sure of the type of power source required, consult your service provider or local power company.
- To help avoid damaging your system, be sure that the voltage selection switch (if provided) on the power supply is set to match the power available at your location:
 - 115 volts (V), 60 hertz (Hz) in most of North and South America and some Far Eastern countries such as South Korea and Taiwan
 - 100 V, 50 Hz in eastern Japan and 100 V, 60 Hz in western Japan
 - 230 V, 50 Hz in most of Europe, the Middle East, and the Far East
- Also, be sure that attached devices are electrically rated to operate with the power available in your location.
- Use only approved power cables. If you have not been provided with a power cable for your system or for any AC powered option intended for your system, purchase a power cable that is approved for use in your country. The power cable must be rated for the product and for the voltage and current marked on the product's electrical ratings label. The voltage and current rating of the cable should be greater than the ratings marked on the product.
- To help prevent electric shock, plug the system and peripheral power cables into properly grounded electrical outlets.
- The peripheral power cables are equipped with three-prong plugs to help ensure proper grounding. Do not use adapter plugs or remove the grounding prong from a cable. If you must use an extension cable, use a three-wire cable with properly grounded plugs.

- Observe extension cable and power strip ratings. Make sure that the total ampere rating of all products plugged into the extension cable or power strip does not exceed 80 percent of the ampere ratings limit for the extension cable or power strip.
- To help protect your system from sudden, transient increases and decreases in electrical power, use a surge suppressor, line conditioner, or uninterruptible power supply (UPS).
- Position system cables and power cables carefully; route cables so that they cannot be stepped on or tripped over. Be sure that nothing rests on any cables.
- Do not modify power cables or plugs. Consult a licensed electrician or your power company for site modifications.
- Always follow your local and national wiring rules.
- Move products with care; ensure that all casters and stabilizers are firmly connected to the system. Avoid sudden stops and uneven surfaces.

Chapter 3

Hardware Installation


This chapter explains how to install the hardware for the Managed Stackable Layer 3 Fast Ethernet Switch models GSM7328S v2 and GSM7352S v2.

Package Contents

Each switch is packed and shipped separately. The package contains the following items:

- Managed Stackable Layer 3 Gigabit Ethernet Switch with preinstalled software
- Power cord
- Rubber footpads for tabletop installation
- Rubber caps for the SFP and SFP+ sockets
- Rack-mounting kit
- Null-modem serial cable (RS-232) with 9-pin connectors
- NETGEAR CD: The CD contains
 - Documentation including the *ProSafe 7300S Managed Switch CLI Manual, Version 8.0*, the *NETGEAR 7000 Series Managed Switch Administration Guide*, the *NETGEAR Installation Guide for the 7000 Series Stackable Managed Switch*, and this *Hardware Installation Guide*
- *Warranty Information and Technical Support* card
- ProSafe NMS100 Network Management System 30-day trial CD-ROM

Protecting Against Electrostatic Discharge

	<p>Warning: Static electricity can harm delicate components inside your system. To prevent static damage, discharge static electricity from your body before you touch any of the electronic components, such as the microprocessor. You can do so by periodically touching an unpainted metal surface on the switch.</p>
---	--

You can also take the following steps to prevent damage from electrostatic discharge (ESD):

1. When unpacking a static-sensitive component from its shipping carton, leave it in the antistatic package until you are ready to install it. Just before unwrapping the antistatic package, discharge static electricity from your body.
2. Before moving a sensitive component, place it in an antistatic container or package.
3. Handle all sensitive components in a static-safe area. If possible, use antistatic floor pads, workbench pads, and an antistatic grounding strap.


Unpacking the Hardware

Check the contents of the boxes to make sure that all items are present before beginning the installation.

1. Place the container on a clean flat surface and cut all straps securing the container.
2. Unpack the hardware from the boxes.

Carefully remove the hardware and place it on a secure and clean surface. See [“Select a Location” on page 3-4](#).

3. Remove all packing material.
4. Make sure that all items are present. See [“Package Contents” on page 3-1](#).

	<p>Note: If any item is found missing or damaged, contact your local NETGEAR reseller for replacement.</p>
---	---

5. Inspect the products and accessories for damage. Report any damage immediately.

Installation

Install the equipment in the sequence presented in this chapter, as shown below:

1. Select a Location.
See [“Select a Location” on page 3-4](#).
2. Install the Switch.
See [“Install the Switch” on page 3-5](#).
3. Check the installation.
See [“Check the Installation” on page 3-6](#).
4. Apply power and check the LEDs.
See [“Connect to Power and Check the LEDs” on page 3-6](#).

Select a Location

The switch can be mounted in a standard 19-inch (48.26-centimeter) rack, wall-mounted, or left freestanding (placed on a tabletop).

The site where you install the switch may greatly affect its performance. Before installing the switch or switches, make sure that the chosen installation location meets the following site requirements.

Table 3-1. Site Requirements for Switch Location

Requirements	
Mounting	<ul style="list-style-type: none"> • Desktop Installations: Provide a flat table or shelf surface. • Rack-mount Installations: Use a 19-inch (48.3-centimeter) EIA standard equipment rack that is grounded and physically secure. You need the rack-mount kit supplied with your switch.
Access	Locate the switch in a position that lets you access the front panel RJ-45 ports, view the front panel LEDs, and access the rear-panel power connector.
Power source	Provide a power source within 6 feet (1.8 meters) of the installation location. Power specifications for the switch are shown in Appendix A, "Technical Specifications" . Be sure that the AC outlet is not controlled by a wall switch, which can accidentally turn off power to the outlet and the switch.
Environment	Install the switch in a site free from strong electromagnetic field generators (such as motors), vibration, dust, and direct exposure to sunlight.
Temperature	The ambient switch operating temperature range is 0° to 50°C (32° and 122°F). Keep the switch away from heat sources such as direct sunlight, warm air exhausts, hot-air vents, and heaters.
Operating humidity	Install the switch in a dry area with a maximum relative humidity of 90%, noncondensing.
Ventilation	Do not restrict airflow by covering or obstructing air inlets on the sides of the switch. Keep at least 2 inches (5.08 centimeters) free on all sides for cooling. Be sure that there is adequate airflow in the room or wiring closet where you intend to install the switch.
Cabling	Route the cable to avoid sources of electrical noise such as radio transmitters, broadcast amplifiers, power lines, and fluorescent lighting fixtures.

Install the Switch

You can install the switch on a flat surface or in a standard 19-inch rack.

Installing the Switch on a Flat Surface

The switch ships with four self-adhesive rubber footpads. Stick one rubber footpad on each of the four concave spaces on the bottom of the switch. The rubber footpads cushion the switch against shock and vibrations.

Installing the Switch in a Rack

To install the switch in a rack, you will need the 19-inch rack-mount kit supplied with your switch.

1. Attach the supplied mounting brackets to the side of the switch.
2. Use the provided Phillips head screws to fasten the brackets to the sides of the switch.

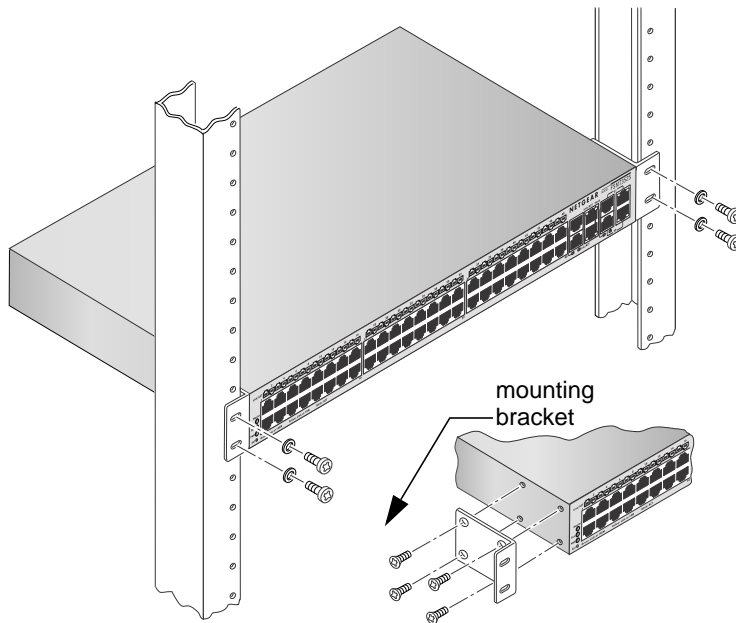


Figure 3-1

3. Tighten the screws with a No. 1 Phillips screwdriver to secure each bracket.

4. Align the bracket and rack holes. Use two pan-head screws with nylon washers to fasten each bracket to the rack.
5. Tighten the screws with a No. 2 Phillips screwdriver to secure the switch in the rack.

Check the Installation

Before you apply power, perform the following checks:

1. Inspect the equipment thoroughly.
2. Verify that all cables are installed correctly.
3. Check cable routing to ensure that cables are not damaged and will not create a safety hazard.
4. Be sure that all equipment is mounted properly and securely.

Connect to Power and Check the LEDs

The switch does not have an ON/OFF switch. The only way to apply or remove power is to connect or disconnect the power cord. Before you connect the power cord, select an AC outlet that is not controlled by a wall switch (which can turn off power to the switch).

After you select an appropriate outlet, follow these steps to apply AC power.

1. Connect one end of the AC power adapter cable to the rear of the switch, and the other end to a grounded 3-pronged AC outlet.
2. Check the Power LED on the front panel of the switch. The LED should light up in the following sequence:
 - The LED turns yellow as the switch runs a Power-On Self-Test (POST).
 - If the switch passes the test, the LED turns green. The switch is working and ready to pass data.
 - If the POST fails, the Power LED blinks yellow.

If the Power LED does not light up, check that the power cable is plugged in correctly and that the power source is good. For help with troubleshooting, see [Chapter 4, “Troubleshooting”](#).

SFP+ Modules

The module bay accommodates a standard SFP+ module with an LC connector that is compatible with the IEEE 802.3aq (10GBase-LRM) and IEEE 802.3ae (10GBase Ethernet) standards. SFP+ modules are sold separately.

SFP+ Module Installation

To install an SFP+ module (typical installation shown):

1. Insert the SFP+ module into the module bay. Press firmly to ensure that the module seats into the connector.
2. To install additional Gigabit Ethernet modules, repeat step 1.

SFP Modules

The module bay accommodates a standard SFP module with an LC connector that is compatible with the IEEE 802.3z 1000Base-X standard. SFP modules are sold separately.

SFP Module Installation

To install an SFP module (typical installation shown):

1. Insert the SFP module into the module bay. Press firmly to ensure that the module seats into the connector.

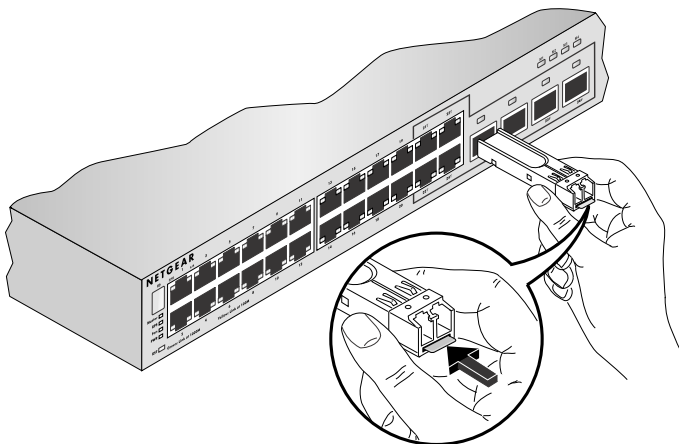


Figure 3-2

2. To install additional Gigabit Ethernet modules, repeat step 1.

High-Speed I/O Module Bays

The High-Speed I/O Module Bays support ProSafe 10-Gigabit Ethernet XFP Adapters (AX741), ProSafe 10-Gigabit Ethernet SFP+ Adapters (AX743), or ProSafe 24-Gigabit Stackable Modules (AX742).

High-Speed I/O Module Installation

The High-Speed I/O Module Bays can be used for inter-switch stacking or to install XFP 10-Gigabit Ethernet modules. If you want to do both, you can stack the switch using two 24-Gigabit Stackable Modules (AX742), and then use the remaining module bays for 10-Gigabit Ethernet XFP Adapters (AX741) or 10-Gigabit Ethernet SFP+ Adapters (AX743). The modules and adapters are sold separately.

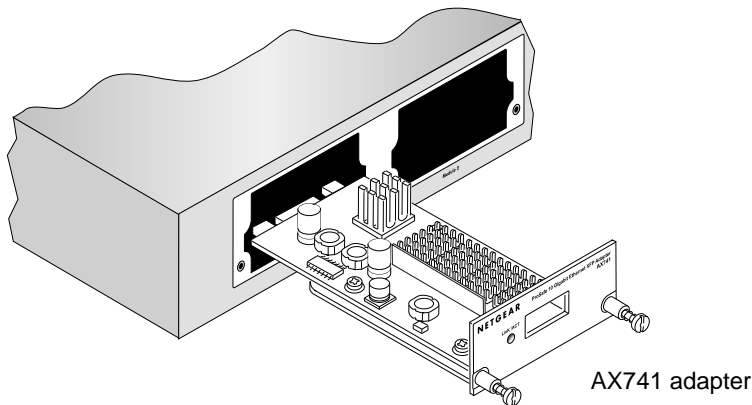


Figure 3-3

When the ProSafe 10-Gigabit Ethernet XFP Adapter (AX741) or ProSafe 10-Gigabit Ethernet SFP+ Adapter (AX743) is in place, you can insert a standard 10-Gigabit Ethernet XFP or 10-Gigabit Ethernet SFP+ optics module as shown:

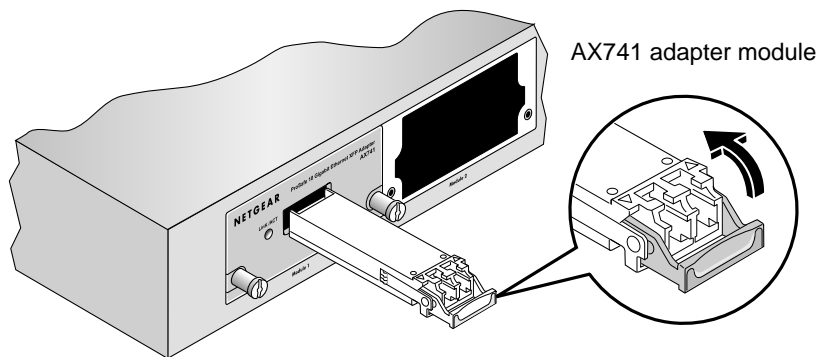


Figure 3-4

You can create a stack, as explained in the next section, “Stacking” on page 3-9.

Stacking

You can connect up to eight switches to form a stack with a single management IP address. The switches automatically select a master unit. Once the master is selected, you can use its console to manage all the switches in the stack.

Two of the I/O module slots can be used for stacking, while the remaining two I/O module bays can be used for 10-Gigabit Ethernet uplinks.

To set up a stack:

1. Install up to two 24-Gigabit Stackable Modules (AX742) into the high-speed I/O module bays at the front or the rear of each switch.
2. Connect the provided stacking cable between a pair of AX742 modules in each switch within a stack.

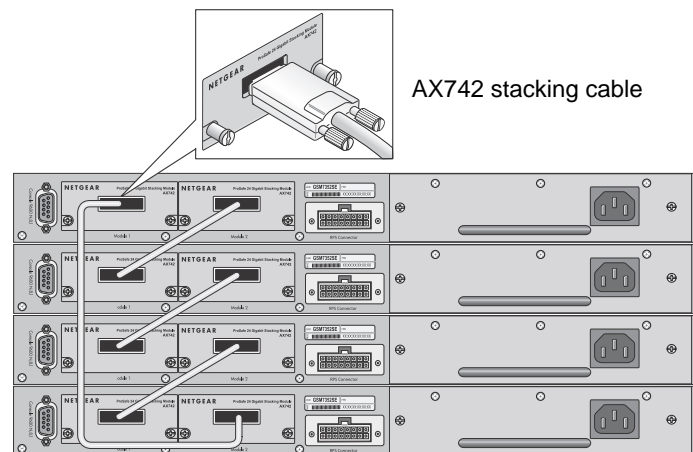


Figure 3-5

3. Connect each switch to the next in a cascade to build the backplane of the stack. Finally, connect the last switch in the stack to the first switch, to close the ring and provide redundancy and resiliency to the stack.

The switches automatically select the master switch in the stack.

4. To use the console and Command Line Interface (CLI), use a serial cable to connect the console to the master switch. This single console connection lets you manage all the switches in the stack.

For information about working with the CLI, see the *Command Line Interface Reference for the ProSafe 7300S Series Layer-3 Stackable Switches* on the *Resource CD* that shipped with your product.

Power Module Bay

The power module bay provides an easy way to replace a failed power module (APS135W). If the switch needs to continue to operate while you replace the power supply, an appropriate Redundant Power Supply (RPS) must be used to connect to the redundant power supply connector on the switch rear panel.

Installing a Power Module (APS135W)

To install a power module, follow these steps:



Warning: When inserting a power module into the switch, do not use unnecessary force. Doing so can damage the connectors on the rear of the supply and on the midplane.

1. Insert the new power supply module into the power module slot, and gently push the module into the slot.
2. Align the two captive screws with the screw holes in the switch's rear panel.
3. Using a screw driver, gently tighten the captive screws.
4. Connect the power cord to the module and to an AC-powered outlet.

Removing a Power Module (APS135W)

To remove a power module, follow these steps:

1. Disconnect the power cord from the power module.
2. Remove the power cord from the power connector.
3. Loosen the two captive screws on the power module.
4. Remove the power module from the power module slot by pulling on the extraction handle.

Connecting a Redundant Power Supply

Each switch has a redundant power supply (RPS) connector at the rear of the switch next to the power supply panel.

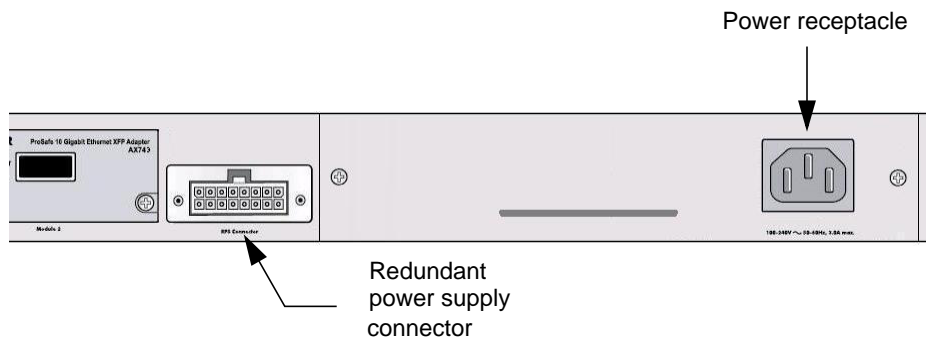


Figure 3-6


You can connect an external DC-to-DC power supply unit to the switch to provide redundant power in case the primary power supply fails. To connect a redundant power supply (RPS) unit to the switch, first turn off the switch. When the power is off, you can remove the cover plate and connect the RPS unit to the switch. After all connections are completed, apply power to the switch.

Connecting Equipment to the Switch

You can connect devices, a Gigabit Ethernet module, and/or a console to the switch.

RJ-45 Ports

The switch uses Auto Uplink technology, which enables you to attach devices using either straight-through or crossover cables. Use a Category 5 (Cat5) unshielded twisted-pair (UTP) cable terminated with an RJ-45 connector.

	Note: Ethernet specifications limit the cable length between the switch and the attached device to 328 feet (100 meters).
---	--

Connecting a Console to the Switch

After you install the switch and apply power, you can connect to it with a terminal or workstation. You can use the Command Line Interface (CLI) to identify the IP address. If you are stacking switches, see “Stacking” on page 3-9.

To use a console you need the following items:

- VT100/ANSI terminal, or a Windows PC, Apple Macintosh PC, or UNIX workstation.
- Null-modem cable with 9-pin connectors on each end (shipped with the product).

To connect a console to the switch:

1. Connect the null-modem cable to the console port on the rear of the switch.

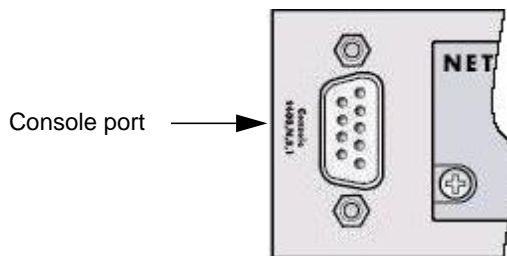


Figure 3-7

2. Connect the other end of the cable to a workstation or terminal.
3. If you attached a workstation, start a terminal-emulation program.
 - Microsoft Windows users can use HyperTerminal if it comes with the Windows operating systems. If not, you need to install another 3rd party terminal emulator such as Tera Term.
 - Macintosh users can use ZTerm.
 - UNIX users can use a terminal emulator such as TIP.
4. Configure the terminal-emulation program to use the following settings:
 - Baud rate: 9,600 bps
 - Data bits: 8
 - Parity: none
 - Stop bit: 1

- Flow control: none

After you connect a console to the switch, you will need to configure the switch. The following documents are provided for this purpose:

- *Quick Installation Guide*: Explains basic setup and configuration (provided as both a print document and in PDF format on the *Resource CD*).
- *Command Line Interface Reference for the ProSafe 7300S Series Layer-3 Stackable Switches*: Gives detailed examples of how to use the CLI, and is located on the *Resource CD*.
- *NETGEAR 7000 Series Managed Switch Administration Guide*: Describes configuration tasks, and is located on the *Resource CD*.

Chapter 4

Troubleshooting

Troubleshooting Chart

The following table lists symptoms, causes, and solutions of possible problems.

Table 4-1. Troubleshooting Chart

Problem	Cause	Solution
Power LED is off.	No power is received	Check the power cord connections for the switch at the switch and the connected device. Make sure that all cables used are correct and comply with Ethernet specifications.
Link LED is off or intermittent.	Port connection is not working.	Check the crimp on the connectors and make sure that the plug is properly inserted and locked into the port at both the switch and the connecting device. Make sure that all cables used are correct and comply with Ethernet specifications. See Appendix A. Check for a defective adapter card, cable, or port by testing it in an alternate environment where all products are functioning.
File transfer is slow or performance degradation is a problem.	Half- or full-duplex setting on the switch and the connected device are not the same.	Make sure that the attached device is set to auto negotiate. Check the system message log.

Table 4-1. Troubleshooting Chart (continued)

Problem	Cause	Solution
A segment or device is not recognized as part of the network.	One or more devices are not properly connected, or cabling does not meet Ethernet guidelines.	Verify that the cabling is correct. Be sure that all connectors are securely positioned in the required ports. Equipment may have been accidentally disconnected.
ACT LED is flashing continuously on all connected ports and the network is disabled	A network loop (redundant path) has been created.	Break the loop by ensuring that there is only one path from any networked device to any other networked device.

Additional Troubleshooting Suggestions

If the suggestions in [Table 4-1](#) do not resolve your problem, refer to the troubleshooting suggestions in this section.

- **Network Adapter Cards**
Make sure that the network adapter cards installed in the PCs are in working condition and the software driver has been installed.
- **Configuration:**
If problems occur after you change the network configuration, restore the original connections. Then find the problem by making the changes, one step at a time. Make sure that cable distances, repeater limits, and other physical aspects of the installation do not exceed the Ethernet limitations.
- **Switch Integrity:**
You can verify the integrity of the switch by resetting the switch. To reset the switch, use the Tools> Reset command or remove AC power from the switch and then reapply AC power. If the problem continues, contact NETGEAR technical support.
- **Auto-Negotiation:**
The copper 10/100/1000 Mbps ports negotiate the correct duplex mode and speed if the device at the other end of the link supports auto-negotiation. If the device does not support auto-negotiation, the switch only determines the speed correctly and the duplex mode defaults to half-duplex. The fiber gigabit ports negotiate speed, duplex mode, and flow control, provided that the attached device supports auto-negotiation.

Appendix A

Technical Specifications

This appendix provides technical specifications for the switches.

Table A-1. Technical Specifications

Feature	GSM7328S v2	GSM7352S v2
IEEE Network Protocol and Standards compatibility	802.3 10BASE-T 802.3u 100BASE-TX 802.3z 1000BASE-SX 802.3z 1000BASE-LX 802.3ab 1000BASE-T 802.3ae 10000BASE-LR 802.3ae 10000BASE-SR 802.3x flow control	
Switch management	<ul style="list-style-type: none"> • Port mirroring support • SNMP v1, v2c, v3 • RFC1757 RMON 1 groups 1, 2, 3, and 9 • RFC1213 MIB II • RFC1643 Ethernet Interface MIB • RFC1493 bridge MIB • RFC2131 DHCP client (and BootP) • RFC2138 RADIUS client • Broadcast storm control • Telnet sessions for management CPU (5) • Ping support • ARP support • Private enterprise MIB • Configuration file upload, download (TFTP) • Runtime image download (TFTP) • Command Line Interface • Web-based graphic user interface • Simple Network Time Protocol (SNTP) • Syslog • SSLv3/TLSv1.0 Web security • Secured Shell (SSHv1, v2) 	

Table A-1. Technical Specifications (continued)

Feature	GSM7328S v2	GSM7352S v2
Layer 2 Services	<ul style="list-style-type: none"> • 802.1Q Static VLAN (Up to 4k) • 802.1p Class of Service (CoS) • 802.1D Spanning Tree Protocol (STP) • 802.1w Rapid Spanning Tree Protocol (RSTP) • 802.1s Multiple Spanning Tree Protocol (MSTP) • 802.3ad Link Aggregation (LACP) • IGMP v1, v2 Snooping Support • MLD snooping 	
Layer 3 Services	<ul style="list-style-type: none"> • VLAN routing • Port routing • RIP v1, v2 • OSPF v2, v3 • VRRP • ACL • DiffServ QOS • DHCP, BOOTP Relay • DHCP server • IGMP v2, v3 • PIM • PIM (IPv6) • MLD v1, v2 • DVMRP • IPv6 routing 	
Interface (Auto Uplink on all RJ-45 ports)	<ul style="list-style-type: none"> • 24 RJ-45 connectors for 10BASE-T, 100BASE-TX, and 1000BASE-T • Four slots are gigabit interface converters (SFP) for SFP modules • Two slots are 10 gigabit interfaces for SFP+ modules • Two I/O module bays for either 10-Gigabit Ethernet or 24-Gigabit stacking connectivity • RS-232 console port 	<ul style="list-style-type: none"> • 48 RJ-45 connectors for 10BASE-T, 100BASE-TX, and 1000BASE-T • Four slots are gigabit interface converters (SFP) for SFP modules • Two slots are 10 gigabit interfaces for SFP+ modules • Two I/O module bays for either 10-Gigabit Ethernet or 24-Gigabit stacking connectivity • RS-232 console port
Bandwidth	136 Gbps	184 Gbps
Address database size	8K MAC addresses per system	
10/100/1000 buffer memory	Max support 0.75-MB buffer memory	Max support 1.5-MB buffer memory
Mean time between failure (MTBF)	211,069 hours (~ 24.1 years) @ 25 °C 98,705 hours (~ 11.3 years) @ 55 °C	169,522 hours (~ 19.4 years) @ 25 °C 83,550 hours (~ 9.5 years) @ 55 °C

Table A-1. Technical Specifications (continued)

Feature	GSM7328S v2	GSM7352S v2
Performance	<ul style="list-style-type: none"> • Forwarding modes: Store-and-forward • Network latency: Less than 80 microseconds for 64-byte frames in store-and-forward mode for 10 Mbps to 100 Mbps transmission • Addressing: 48-bit MAC address • Acoustic noise: (ANSI-S10.12): 44 dB @ 25°C ambient temperature • Heat dissipation: 260.488 Btu/hr for the GSM7328Sv2, 389.196 Btu/hr for the GSM7352Sv2 	
Power consumption	76.3 W maximum 100-240VAC, 50–60 Hz universal input	114 W maximum 100-240VAC, 50–60 Hz universal input
Dimensions (W x D x H)	17.3 x 15.4 x 1.7 inch (W x D x H) (440 x 390.7 x 43.2 mm)	
Environment	<p>Operating:</p> <ul style="list-style-type: none"> • temperature: 32° to 122°F (0° to 50°C) • humidity: 90% maximum relative humidity, noncondensing • altitude: 10,000 ft (3,000 m) maximum <p>Storage:</p> <ul style="list-style-type: none"> • temperature: – 4° to 158°F (–20° to 70°C) • humidity: 95% maximum relative humidity, noncondensing • altitude: 10,000 ft (3,000 m) maximum 	
Electromagnetic emissions and immunity	<ul style="list-style-type: none"> • CE mark, commercial • FCC Part 15 Class A, VCCI Class A • Class A EN 55022 (CISPR 22) Class A • Class A C-Tick • EN 50082-1 • EN 55024 	
Safety	<ul style="list-style-type: none"> • CE mark, commercial • CSA certified (CSA 22.2 #950) • UL listed (UL 1950)/cUL IEC950/EN60950 	

Appendix B

Default Configuration Settings

This appendix provides the default settings for the NETGEAR Model GSM7328S v2 and GSM7352S v2.

Table B-1. Default Configuration Settings

Features	Default Setting
Port speed	Auto-negotiation
Port duplex	Auto-negotiation
Flow control (half duplex)	Enabled
Flow control (full duplex)	Disabled
Broadcast storm control	Enabled
Gigabit port type	Auto detect
Management IP configuration	DHCP
Password protection	Disabled
User name	Admin
Password	(none)
Web access	Enabled
Java mode	Enabled
VLAN	All ports belong to default VLAN (VLAN 1) as untagged ports
IP multicast filtering	Disabled
Spanning Tree Protocol	Enabled (IEEE 802.1s)
Admin edge port	Enabled
Link aggregation	Disabled
Port mirroring	Disabled
Traffic prioritization	Disabled
ACL	Disabled
GVRP	Disabled
GMRP	Disabled
IP routing	Disabled

Table B-1. Default Configuration Settings (continued)

Features	Default Setting
RIP	Enabled
MAC address aging	300 seconds
OSPF	Disabled
SNMP community	public (read-only access), private (read/write access)
DHCP Server	Disabled
VLAN Ingress filtering	Enabled
IP multicast filtering	Disabled
VRRP	Disabled
IGMP	Disabled
DVMRP	Disabled
PIM-SM	Disabled
PIM-DM	Disabled
IPv6 routing	Disabled
PIM-SM(IPv6)	Disabled
PIM-DM(IPv6)	Disabled
MLD	Disabled
OSPFv3	Disabled
DHCPv6 server	Disabled
802.1x	Disabled
Port Security	Disabled
Captive Portal	Disabled
Auto Install	Disabled